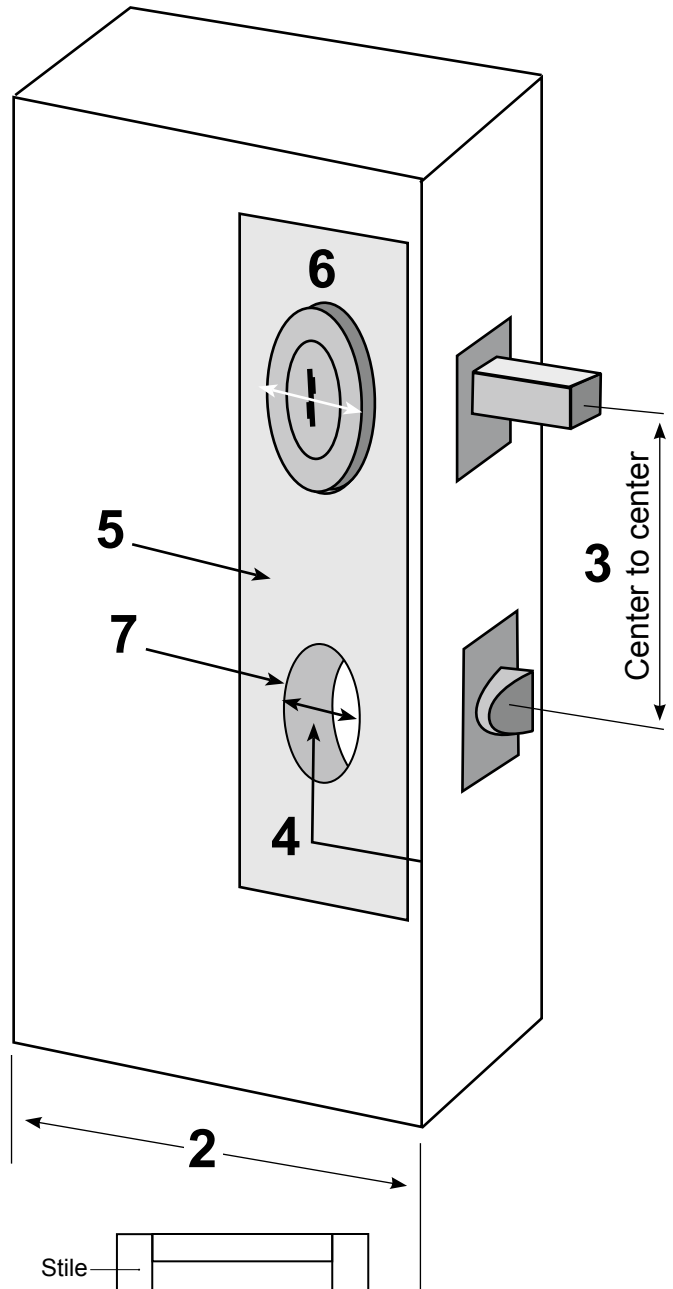


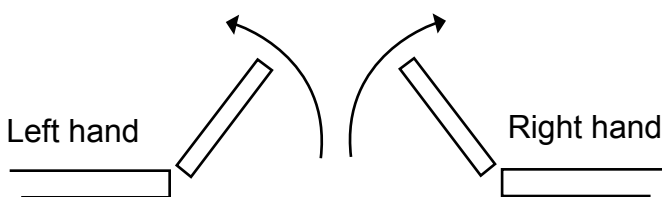
Required information for door hardware

1. Is this a new or existing door?
2. What is the stile width of the door?
3. What is the center to center distance?
measure from the center of the deadbolt to the center of the latch.
4. What is the backset required?
measure from the edge of the door to the center of the hole or center of deadbolt.
5. What is the size of plate you would like?
6. What is the diameter of the deadbolt?
measure across the deadbolt to determine the diameter.
7. What is the diameter of the hole needed for the latchbolt spindle?
the latchbolt spindle is the rod that connects the knobs on either side.



You may also send us an existing plate to match if you prefer.

If you have any further questions, please feel free to call us at **360.825.9144**.



HANDLES

General ordering instructions

DATE:

CLIENT/JOB NAME:

JOB#:

APPLICATION: cabinets furniture other

LOCATION: bath kitchen other

METAL: Bronze White Bronze

FINISH: oil rubbed/dark oil rubbed med. Brushed bright High polish

ROCKS: # of DARK # of LIGHT

OF ALL METAL:

CENTERS: (our standard is 3")

CUSTOMIZATION/REMARKS:

PULLS

General ordering instructions

DATE:

CLIENT/JOB NAME:

JOB#:

Please check all that apply:

APPLICATION: cabinets furniture other:

LOCATION: bath kitchen other:

METAL: Bronze White Bronze

FINISH: oil rubbed/dark oil rubbed med. Brushed bright High polish

ROCKS: # of DARK # of LIGHT

OF ALL METAL:

CENTERS: (our standard is 3")

"

CUSTOMIZATION/REMARKS:

DOORKNOB SETS

General ordering instructions

DATE:

CLIENT/JOB NAME:

JOB#:

Please check all that apply:

DOOR TYPE: entry privacy dummy other

METAL: Bronze White Bronze

FINISH: oil rubbed/dark oil rubbed med. Brushed bright High polish

ROCKS: DARK LIGHT

ACTION: standard lever

STILE WIDTH ”

DOOR THICKNESS: ”

SET BACK: ”

SWING: left right

ESCUTCHEON PLATE SIZE: (our standard is approx. 2.5" x 11.5", 6" centers)

OF ALL METAL

CENTERS: (our standard is 3") ”

CUSTOMIZATION: (rock faceting, sandblast imaging, logos, etc.)

Sketch area

Description/remarks